

EpiShuttle®

Treatment without compromise

TECHNICAL SPECIFICATIONS

Technical data

Outer dimensions: L=2285 mm W=640 mm H=695 mm.
Weight: 58 kg on standard configuration.
Patient weight: max 150 kg / 330 lb
Patient Length: max 198 cm / 6.5 feet
Operating temperature from: 0 to +40 °C (32 to +104 °F).

Patient retention/safety belts :

Quick release 6-point torso/hip restraint, chest strap, and upper / lower leg strap.

Access ports:

Operator ports : 8 ports for gloves, waste bag or sluice bag configurations.
Wire port: Membrane inlet for IV lines, monitoring cables and similar equipment.
Ventilator port: Generic port for all types of mechanical ventilator circuits.

Air system:

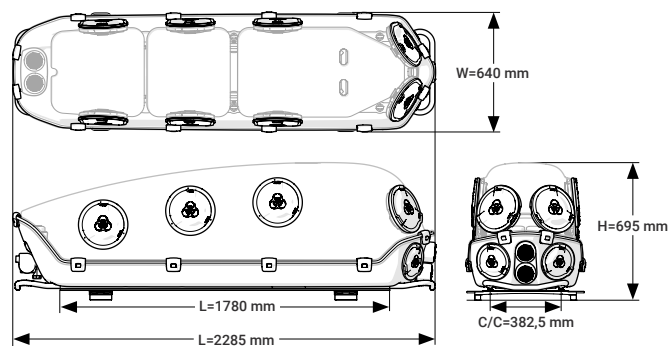
Blower unit: CleanAir® Chemical 2F
Power source : Rechargeable Li-ion battery 14,4V 2,6 Ah, CE1024.
Air exchange : More than 15 air exchanges per hour.
Operating Negative pressure: Min 15 Pa relative to the environment.
Operating Positive pressure: Min 15 Pa relative to the environment.

Test specification:

Test of the fixation:
EN 1789 : 2007+A2:2014
EN13718-1:2014
AS/NZS 4535:1999, section 3.6 (a) (i).

EPISHUTTLE MEASUREMENT

Maximum length: 2285 mm / 7.5 feet
Maximum width: 640 mm / 2.1 feet
Maximum height: 695 mm / 2.3 feet
Maximum weight: 58 kg (standard configuration)

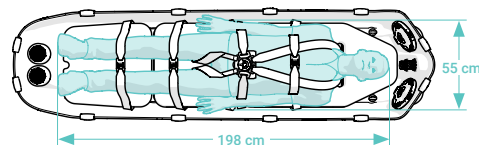


PATIENT MEASUREMENT

Maximum patient length: 198 cm / 6.5 feet
Maximum patient weight: 150 kg / 330 lb

Maximum patient width: Always perform a form-fit check or a patient measurement to ensure that the EpiShuttle will function properly if the patient exceeds the specified dimension 55 cm / 1.8 feet.

Minimum patient length: 140 cm / 4.6 feet



SHIPPING BOX MEASUREMENT

Maximum length: 2382 mm / 7.8 feet
Maximum width: 735 mm / 2.4 feet
Maximum height: 808 mm / 2.6 feet
Maximum weight: 65 kg / 143 lb

